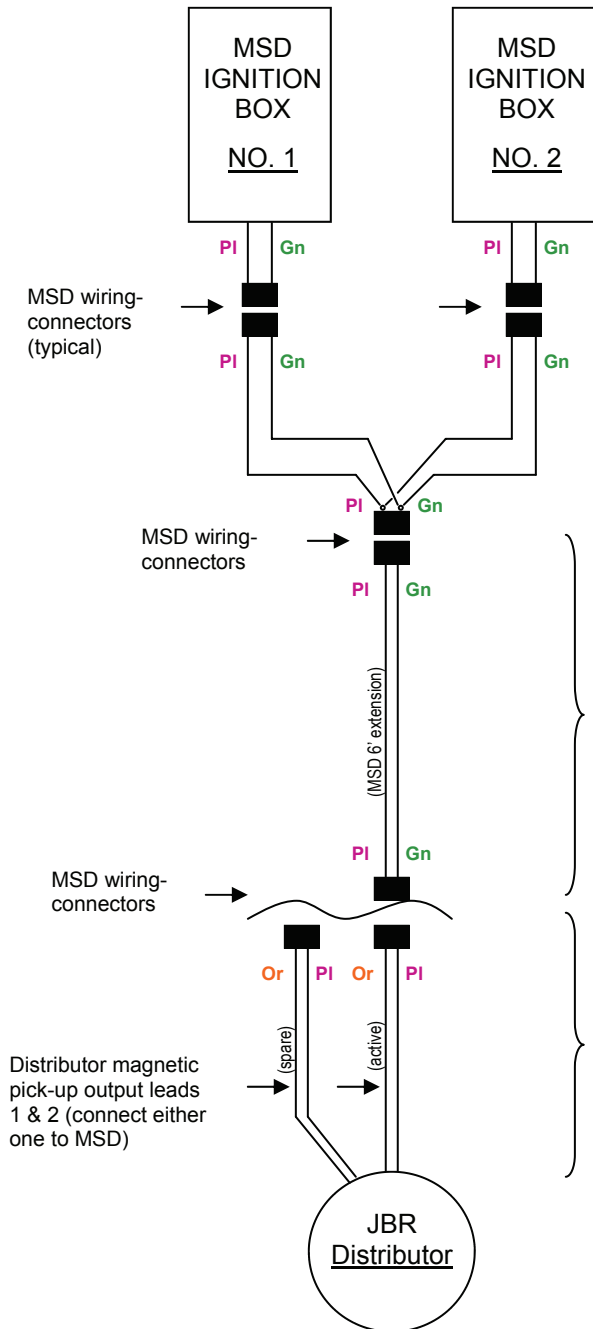


Alternate Wiring for JBR Twin-Plug Distributor - using one (1) distributor magnetic pick-up output lead with two (2) MSD ignition boxes. (Optional PIGTAIL)



A special 2 into 1 wire harness adapter, JBR PN 153-102-MSD, is available as an optional accessory. This adapter is assembled with standard MSD plug-in connectors which makes the necessary wiring modification. Connections are simple and secure.

MSD ignition wiring extension (approx. 6 feet long) with plug-in connectors on both ends. This extension is included in each new MSD CD Ignition Kit. Please take special note of the wire insulation colors as they do not directly correspond to the insulation colors on the distributor pick-up output leads - Connect to JBR Distributor magnetic pick-up lead(s) per this diagram. Read IMPORTANT information below.

- IMPORTANT - Please Note
 Distributor magnetic pick-up output wiring lead insulation colors differ from the MSD factory wiring at this connection point (see wiring color codes below). Connection MUST be made per this diagram for the correct polarity. INCORRECT POLARITY WILL AFFECT IGNITION TIMING AND CAN RESULT IN ENGINE DAMAGE and is not warranted by JB Racing.

JBR Twin-Plug Distributor w/ dual magnetic pick-ups

Wiring Color Codes

Gn	- Green
PI	- Purple
Or	- Orange